



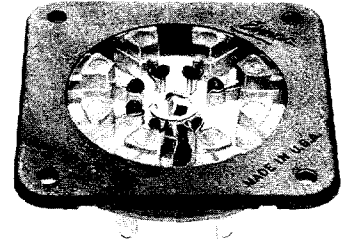
TECHNICAL DATA

SK-640 AIR-SYSTEM SOCKET

The EIMAC SK-640 is one of the air system sockets recommended for use with those tubes listed at bottom of the page, or other tube types having the same special nine-pin base, when an integral screen by-pass capacitor is either not required or desired. When this socket is used, connection is made to each of the tube electrodes except the anode. The SK-640 Air-System Socket is humidity and salt-spray resistant. SK-606 Air Chimney is used with most air cooled tubes.

BASE CONNECTIONS

The SK-640 Air-System Socket consists of seven base pin contacting terminals (no contact is made to Pin #5) and a center control-grid terminal. The cathode of the tube is connected to its external circuits by the four even-numbered base pins which are connected in parallel to minimize the effects of lead inductance. These terminal lugs are insulated from the socket body. Connection to the screen-grid is made via Pin #1 while control-grid contact is accomplished by the use of a 6/32" screw at the center terminal.



MATERIALS AND FINISHES

The metal shell, or body, of the socket is nickel-plated brass and the base pin contact terminals are fabricated from beryllium-copper, heat treated after forming, then silver-plated. The center control-grid terminal is silver-plated brass.

The socket insulating material, polytrifluorochloroethylene, is chemically inert, non-flammable, will not absorb water or water-vapors and is not affected by acids or alkalis. It will not react to normal solvents except in the case of halogenated compounds which will induce minor dimensional changes. Its physical characteristics are stable over a temperature range of -196°C to +199°C and it is resistant to embrittlement and thermal shock.

NET WEIGHT (Approximate) 2.0 Oz. 57 gms

INSTALLATION

The SK-640 Air-System Socket can be mounted on a chassis decks or partitions by the four 0.150 inch diameter holes provided in the socket body. These holes are 90° apart and are drilled on a 2-9/16" diameter pitch circle. A 2-1/4" hole is required to accept the socket body.

TUBE EXTRACTOR

The SK-640A is a spring-steel device useful for inserting and extracting tubes of the type used in the SK-640 Air-System Socket. It is recommended for use where the construction of the equipment makes it difficult or impossible to grasp the tube by hand or when it is necessary to handle the tubes while they are still hot from recent use.

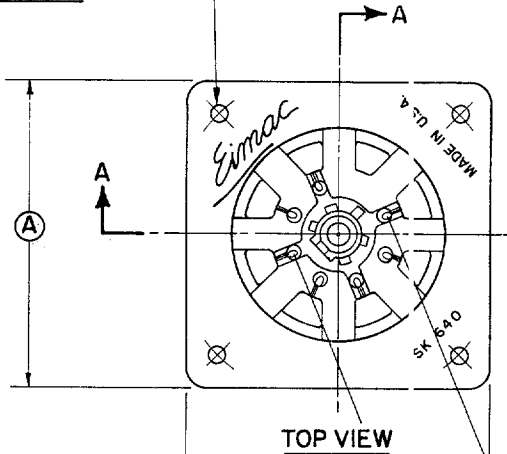
THE SK-640 AIR-SYSTEM SOCKET IS RECOMMENDED FOR USE WITH THE FOLLOWING TUBES:

7034/4X150A	8249/4W300B	8904/4CX350FJ
7203/4CX250B	8321/4CX350A	8930
7580W/4CX250R	8322/4CX350F	8957/4CX250BC
7609	8621/4CX250FG	



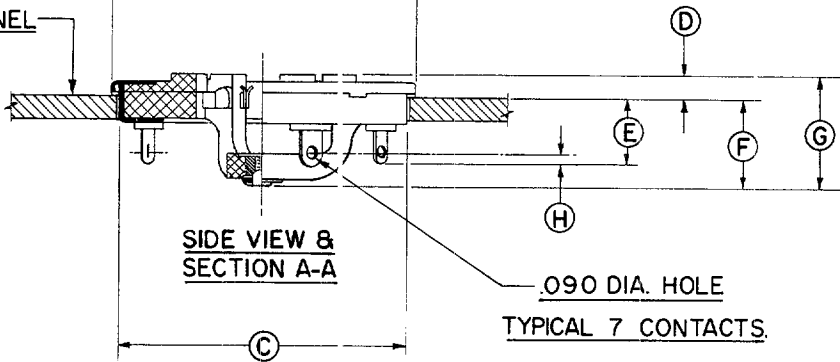
SK-640 Air-System Socket

4 MOUNTING HOLES
 .150 DIA., 90° APART
 ON 2 ⁹/₁₆ DIA. P.C.

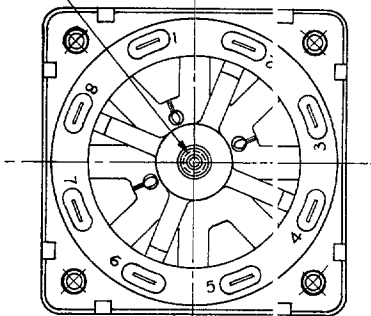


DIM	INCHES			MILLIMETERS		
	MIN.	MAX.	REF.	MIN.	MAX.	REF.
A	2.295	2.335	- -	58.29	59.31	- -
B	2.295	2.335	- -	58.29	59.31	- -
C	2.175	2.215	- -	55.24	56.26	- -
D	0.150	0.180	- -	3.81	4.57	- -
E	0.515	0.565	- -	13.08	14.35	- -
F	0.670	0.730	- -	17.02	18.54	- -
G	0.835	0.895	- -	21.21	22.73	- -
H	0.070	0.100	- -	1.78	2.54	- -
J	0.672	0.702	- -	17.07	17.83	- -
K	0.146	0.156	- -	3.71	3.96	- -
M	0.892	0.915	- -	22.66	23.24	- -
N	1.807	1.819	- -	45.90	46.20	- -

MOUNTING PANEL
 (TYPICAL)



6-32X ³/₁₆ D.P.
 CONTROL GRID
 CONNECTION



BOTTOM VIEW

CONNECTIONS	
1.	SCREEN GRID
2.	CATHODE
3.	HEATER
4.	CATHODE
5.	NO CONNECTION
6.	CATHODE
7.	HEATER
8.	CATHODE